

SD421-181 UNIVERSAL IGNITER REPLACEMENT KIT

IMPORTANT: Unplug your appliance and turn off power at the breaker before servicing. Shut off gas supply to the appliance. If you have doubts or are unfamiliar with this type of installation work, seek the services of a qualified Service Technician. Supplying Demand assumes no responsibility for the improper installation of this product. Read these instructions thoroughly before installing. All wiring of the appliance must comply with the manufacturer's instructions and local and national electrical codes.

This igniter kit uses a universal snap-apart bracket and an extension bracket. The snap bracket must be modified to suit your specific appliance design. Refer to the cross reference list and the figures in this sheet to determine the snap-apart bracket configuration required for your application. The extension bracket is used without modification. When using the extension bracket, the existing gasket on the installed igniter must be reused with the new extension bracket from this kit.

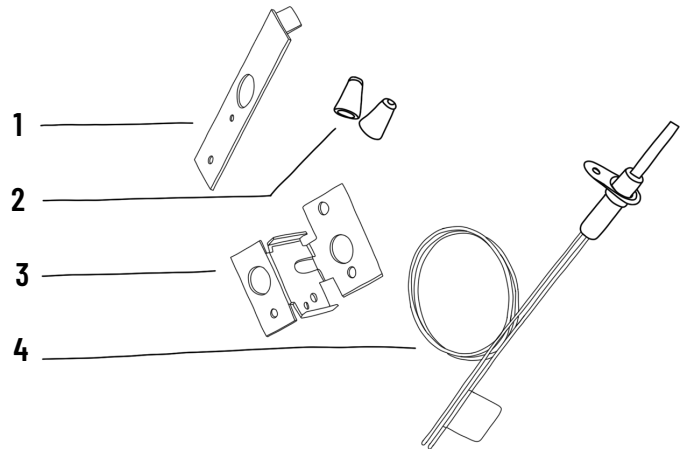
CAUTION: With appropriate care, maintenance, and use your hot surface igniter will provide years of dependable and trouble-free service. Nevertheless, the igniter is a worn part and it will become non-operational at the end of its life cycle. The length of its life cycle will depend on a variety of factors, including without limitation, the type of furnace you use, the length of your heating season, and the number of ignition cycles. Therefore, to help ensure the continued operation of your furnace, we recommend an inspection of the igniter by a qualified service professional once a year, before the heating season begins, as part of a routine preventative maintenance program for your heating system.

This universal igniter replacement kit contains the following parts:

1. Extension bracket
2. Ceramic wire nuts (2)
3. Universal "snap" mounting bracket
4. 120-volt Silicon Nitride Igniter with 250 C-rated wire leads
5. Self-tapping mounting screw
6. Instructions

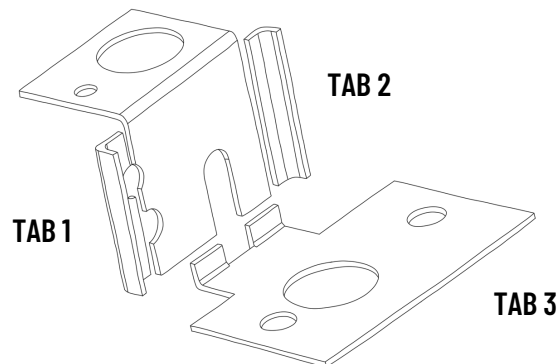
This universal kit replaces:

- 120-volt flat silicon carbide igniters
- 120-volt round spiral silicon carbide igniters
- 120-volt round silicon nitride igniters
- 120-volt flat (large and small format) silicon nitride igniters



Over 200 applications can be replaced by the materials included in this universal igniter kit. The major replacement applications are detailed on the kit label cross reference list. This Supplying Demand kit is suitable for use with most 120-volt appliance controls. This kit cannot be used to replace igniters that operate with amperage "proven" control systems.

Snap Bracket details



Step by Step installation instructions

1. Disconnect the appliance from the electrical and gas supplies.
2. Unplug the igniter to be replaced from the appliance wiring harness and remove the igniter. Remember to save the original igniter mounting screw(s) as this will be required when installing the new igniter assembly.
3. Examine the existing igniter configuration and check the cross reference list and/or igniter assembly figures to determine the bracket configuration.
4. Using pliers or a similar tool, snap off the bracket tabs (labeled 1, 2, and 3) necessary to properly configure the bracket.

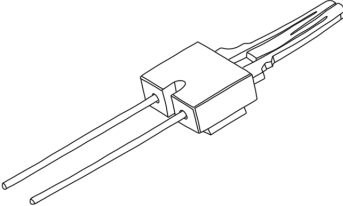
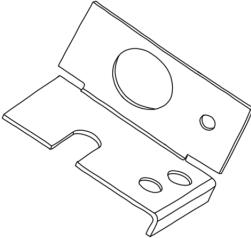
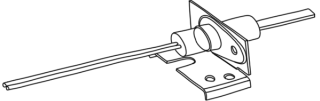
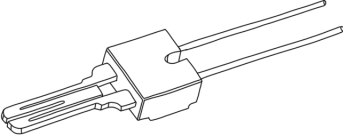
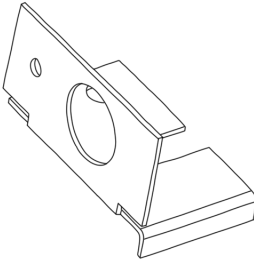
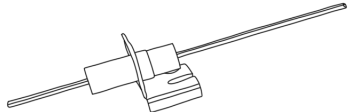
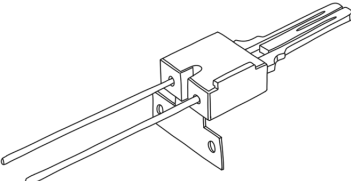
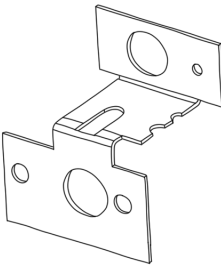
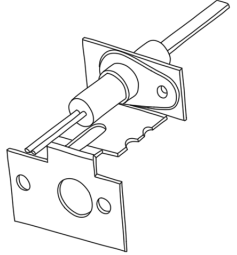
SD421-181 UNIVERSAL IGNITER REPLACEMENT KIT

5. Install the correctly configured bracket to the appliance with the original igniter mounting screw.
6. Cut off the original igniter connector on the appliance wire harness and strip the two wire leads to be connected to the Supplying Demand igniter.
7. Install the Supplying Demand igniter onto the replacement bracket using the tapping screw provided in the kit.
8. Confirm that the replacement igniter mounting is fitted properly. If the bracket has been configured properly, the new igniter position will be similar to the original igniter position.
9. Attach the wire leads from the igniter to the stripped leads on the wire harness using the wire nuts provided. Make sure no portion of the stripped wire ends are exposed outside of the wire nuts.

Installation and Operation Confirmation

1. If the gas burner assembly was removed or disconnected during the installation of the igniter, re-assemble and confirm that all of the electrical and gas connections are properly re-connected and tight.
2. Turn on the electrical and gas supplies to the appliance. Using a volt meter, confirm that the supply voltage to the appliance is correct. Using a leak checker, confirm that there are no gas leaks in the appliance piping.
3. With the back cover of the furnace still removed, turn on the furnace and set the thermostat to call for heat.
4. Observe the ignition sequence. The igniter will begin to glow and the gas valve will operate to supply gas to the burners. The igniters should not remain on for more than a few seconds after the burners light. Once the furnace is running properly, turn off the furnace and reinstall the back cover.
5. Cycle the furnace one or more times to make sure it is functioning properly.
6. Reset the thermostat to its normal settings. The installation is now complete.

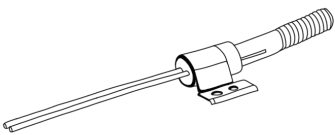
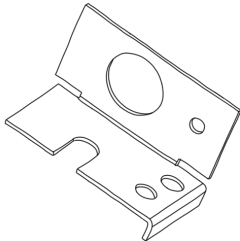
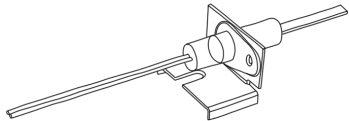
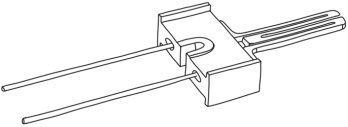
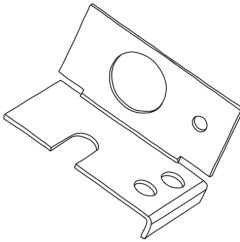
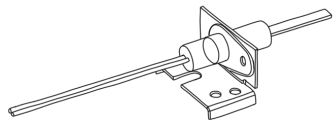
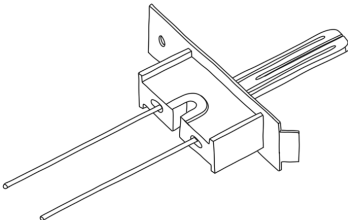
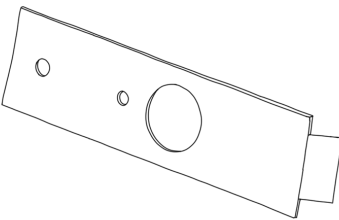
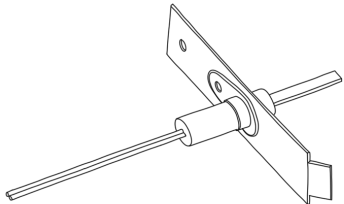
Igniter Assembly Configurations

	SILICON CARBIDE IGNITER ASSEMBLY	BRACKET	IGNITER ASSEMBLY
IGNITER ASSEMBLY 1 REMOVE TABS 2 AND 3 FROM THE SNAP BRACKET			
IGNITER ASSEMBLY 2 REMOVE TABS 1 AND 3 FROM THE SNAP BRACKET			
IGNITER ASSEMBLY 3 REMOVE TABS 1 AND 2 FROM THE SNAP BRACKET			

SD421-181

UNIVERSAL IGNITER REPLACEMENT KIT

Igniter Assembly Configurations

	SILICON CARBIDE IGNITER ASSEMBLY	BRACKET	IGNITER ASSEMBLY
IGNITER ASSEMBLY 1 REMOVE TABS 2 AND 3 FROM THE SNAP BRACKET			
IGNITER ASSEMBLY 2 REMOVE TABS 1 AND 3 FROM THE SNAP BRACKET			
IGNITER ASSEMBLY 3 REMOVE TABS 1 AND 2 FROM THE SNAP BRACKET			

This igniter replacement kit replaces the following models

ADAMS DORNBACK: 271NM

AIR COMFORT: 271NM

AMANA: 10755002, B138196P01, B144676P02, B340039P01,
B144676P01

AMERICAN APPLIANCE: 271B

AMERICAN ROAD EQUIPMENT: 201W

AMERICAN STANDARD: IGNO030

ARCO AIRE: 100-9980, 1096048, 1380680

ARMSTRONG: 38322B001

BARNETT BRASS: 661924, 661926, 661927

CARRIER/BRYANT/PAYNE: LH33ZS001A, LH33ZS002,
LH33ZS003, LH33ZS004

CLAIRE BROTHERS: C-238, C-242, C-263

COLEMAN/EVCON: 1474-051, 1474-052

COMFORTMAKER: 1096048

DETROIT RADIANT: 201D

DMO INDUSTRIES/OLSEN/ECR: 20834, 26789

DUCANE: 20015201

EASTERN FOUNDRY/PEERLESS: 271N

ENERCO/TECH: 10399

EVCON: 1474-051, 1474-052

EZ FLOW: 62374

FRIGIDAIRE: 6320880, 6323540, RH622286893

GE/HOTPOINT: WG37X11, WG37X34

GEMLINE: IG-101, IG-102, IG-107

GOODMAN: B11726-06, B1401009, B1401015, B1401015S

GRIMSBY STOVE: ZCO-350

GSW/JOHN WOODS/P.V. WATER HEATER: 71082, 86483

H.B. SMITH: 101344, 1148245, 50018

HEAT CONTROLLER: 62-22868-02

HEIL QUAKER: 1148145, 1001344, 1096048, 1009604

HIRED HAND: 201N

HUPP INDUSTRIES: 9050

INTEGRA: 3260618, 6905032

INTERCITY: 1009604

INTERNATIONAL COMFORT PRODUCTS: 1096047

JOHNSTONE SUPPLY: L37-699, L37-700, L37-812, L37-814,
L37-815, L37-816

L.B. WHITE: 271N, 120-07549

LENNOX: 31L6201, 36N77, 98P77, 98P78

CONTINUED ON NEXT PAGE



SD421-181

UNIVERSAL IGNITER REPLACEMENT KIT

LENNOX CANADA: 12L4301

LINCON FOOD: 4070519

MAJESTIC: 75-92-104, 75-92-105

METZGER: 201N, 201W

MODINE: 5H75032A

MOR-FLO: 3200580, 3200618

MTS SYSTEMS: 119651-59A

NORDYNE/FRIGIDAIRE/MILLER/PHILCO/TAPPAN: 105141000, 6320770, 6320880

NORTON: 201, 201D, 201K, 201L, 201M, 201N, 201NM, 201P, 201R, 201W, 271, 271D, 271K, 271L, 271M, 271N, 271NM, 271P, 271R, 271W

OLSEN INDUSTRIES: 26789

RAYPAK: 201M, 50015, 600915

RHEEM/RUDD: 62-22868-82, 62-22868-93, 62-22669-02, 62-22441-01, 90434300

ROBERTS GORDON: 271N, 90436300, 90436600

ROBERTSHAW: 41-402, 41-403, 41-405, 41-407, 41-408, 41-409, 41-410, 41-412, 41-414

RSS COMBUSTION: 201N

SHENENDOAH: 271W

SHI: Y-67610

SIBLEY AGRIE: 271N

SNYDER GENERAL: 1380654, 138067, 1380680

SOUTHERN EQUIPMENT: 271N

STARLITE: 11120-100-1402, 11120-100-1403, 11120-100-1405, 11120-100-1407, 11120-100-1408, 11120-100-1409

SUPCO: SIG-107, SIG-402, SIG-403, SIG-405, SIG-407, SIG-408, SIG-409, SIG-10, SIG-412, SIG-414

SUPERIOR FIREPLACE: 94851

SURFACE IGNITER: FC007, FC024, FC035, FC046, FC050, FC051, FC055

TEMP CONTROLS: 9302-094

TEMPSTAR: 1096048

THERMO PRODUCTS: 380602

TRANE: 34003P01, 201, IGN21, IGN23, IGN26, IGN30, IGN34, X13130195010, X13130195020, X24080134010, X24080149101,

B138196P01, B144676P01, B14467P02, B340039P01, B340039P02

VEISSMAN: 9302-094

WAYNE COMBUSTION/WAYNE HOME PRODUCTS: 62821-001, 62821-002

WEIL MCLANE: 79074, 511-330-139, 511-330-183, 511-300-190, 511-330-193

WHIRLPOOL: 99794323, 99794328

WHITE-ROGERS: 767A-301, 767A-303, 767A-306, 767A-310, 767A-311, 767A-350, 767A-353, 767A-354, 767A-357, 767A-361, 767A-

364, 767A-365, 767A-366, 767A-370, 767A-371, 767A-372, 767A-373, 767A-376, 767A-377, 767A-384

WILLIAMSON: 9050

YORK INTERNATIONAL: 025-32625-000, 025-27766-000, 025-27774-000, 025-29043-000, 025-29050-000

IMPORTANT: Unplug your appliance and turn off power at the breaker before servicing. Shut off gas supply to the appliance. If you have doubts or are unfamiliar with this type of installation work, seek the services of a qualified Service Technician. Supplying Demand assumes no responsibility for the improper installation of this product. Read these instructions thoroughly before installing. All wiring of the appliance must comply with the manufacturer's instructions and local and national electrical codes.
